



Grinder Studios

46 Rochester Road, Observatory 7925,
Cape Town, South Africa
Tel +27 21 486 8610
Email info@grinderfilms.com
Website www.grinderfilms.com

Sample Cost Estimate

GF Bolt Junior + Rentals
Rental Season 24/25
1 Day Shoot On Location

CE.V1

31 August 2024
Currency Rate 1.0
Currency ZAR

Description	Qty	Rate	Usage	Subtotal	Admin Mu	Nett ZAR	Total Cost
					5.00%		

Equipment - Bolt Junior+ Motion Control

Travel Days	1	R32,500.00					ZAR
Prep/Pre-Light/Rehearsal	1	R65,000.00					ZAR
Gear-Check / Delivery Days	1	R32,500.00					ZAR
Shoot Days	1	R65,000.00	1	R65,000.00		R65,000.00	ZAR 65,000.00
Down / De.rig/Pack Days	1	R32,500.00					ZAR
Moco.turntable - Sync To Bolt.junior+	1	R9,500.00					ZAR
Trigger-Box - Sync To Bolt.junior+	1	R8,500.00					ZAR

European Crew: Operator (10 Hr Day)

Travel Days	1	R8,250.00	2	R16,500.00	R825.00	R17,325.00	ZAR 17,325.00
Tech-Recce/Pre-Rig/Gear-Check	1	R8,250.00					ZAR
Pre-Light/Rehearsal/Shoot-Days	1	R16,500.00	1	R16,500.00	R825.00	R17,325.00	ZAR 17,325.00
Premium-Days/Night-Shoots	1	R24,750.00					ZAR
Down-Days / De-Rig	1	R8,250.00					ZAR
Overtime Hours - 1 To 4 (1,5x)	1						ZAR
Overtime Hours - 5 And Beyond (2x)	1						ZAR

Description	Qty	Rate	Usage	Subtotal	Admin Mu	Nett ZAR	Total Cost
SA Crew: Bolt Assistants (10 Hr Day)							
Travel Days	1	R1,750.00					ZAR
Delivery/Tech-Recce/Pre-Rig/Gear-Check/De-Rig	1	R3,750.00	0.5	R1,875.00	R93.75	R1,968.75	ZAR 1,968.75
Pre-Light/Rehearsal/Shoot-Days	1	R3,750.00	1	R3,750.00	R187.50	R3,937.50	ZAR 3,937.50
Premium-Days/Night-Shoots	1	R5,625.00					ZAR
Down-Days	1	R1,750.00					ZAR
Overtime Hours - 1 to 4 (1,5x)	1						ZAR
Overtime Hours - 5 and Beyond (2x)	1						ZAR
Other Costs							
Crew Flights - Premium. economy	1	R45,000.00	1	R45,000.00	R2,250.00	R47,250.00	ZAR 47,250.00
Accomodation	1	R2,950.00	2	R5,900.00	R295.00	R6,195.00	ZAR 6,195.00
Per.diem	1	R900.00	2	R1,800.00	R90.00	R1,890.00	ZAR 1,890.00
Airport Transfer	1	R850.00	2	R1700.00	R85.00	R1,785.00	ZAR 1,785.00
Trailor Hire	1	R750.00					ZAR
Forklift Hire	1	R2,250.00					ZAR
Bolt Transport Craddle	1	R2,250.00	2	R4,500.00	R225.00	R4,725.00	ZAR 4,725.00
4 Ton Tail-Lift Truck	1	R2,600.00	2	R5,200.00	R260.00	R5,460.00	ZAR 5,460.00
Truck Driver Code 10 (Del. & Coll.) (10Hr Day)	1	R1,750.00	2	R3,500.00	R175.00	R3,675.00	ZAR 3,675.00
Fuel	1	R650.00	2	R1300.00	R65.00	R1365.00	ZAR 1,365.00
Labour / Humpers	1	R750.00					ZAR

Sub-Total

R177,901.25 ZAR 177,901.25

Insurance 2.65%

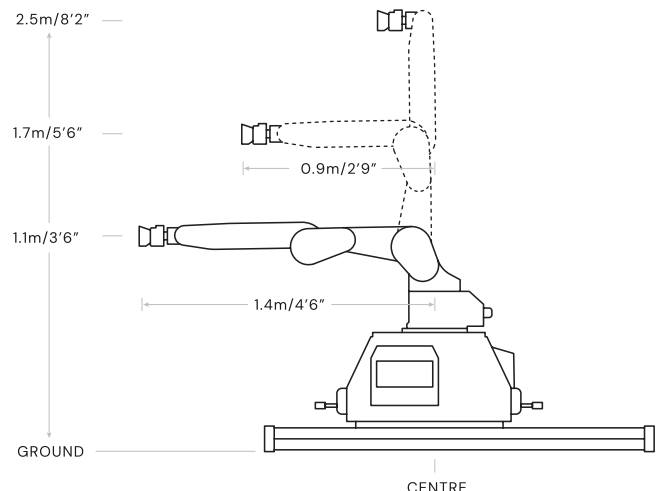
R4,714.38 ZAR 4,147.12

Total (Ex.vat)

R182,615.63 ZAR 182,615.63

PLEASE NOTE:

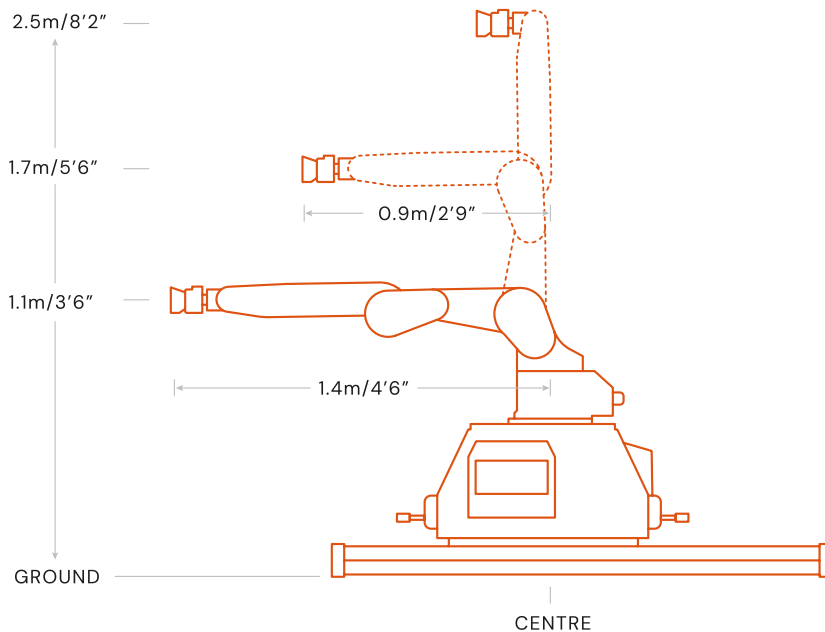
Bolt Junior+ on Pedestal
 Scope only as per above quote.
 Deposit 50% payment due on booking to secure.
 Balance due on job completion.
 Technical Briefing & Recce Essential.
 Crew Overtime @ standard industry rates
 Extra goods & services beyond approved quoted scope.
 Power supply 220volt single phase.
 Overnight Security & Safe Storage essential
 Additional insurance cover required for high-risk setups.
 Risk-assesment essential.
 KM above 40km are charged at R5,50 +vat
 Invoice on final scope post wrap.





Bolt Jr+ Specifications

Bolt™ Jr+ is a compact, lighter weight high-speed camera robot with a longer reach than the Bolt™ Jr. The agile, smaller rig also comes with an increased camera payload (10kg) and is an ideal solution for smaller spaces or location work.



Grinder Studios

46 Rochester Road, Observatory 7925,
Cape Town, South Africa

Tel +27 21 486 8610

Email info@grinderfilms.com

Website www.grinderfilms.com

OPERATING ENVELOPE

MAX HEIGHT (FROM GROUND)

2.5m / 8'2"

MAX REACH (FROM ROTATE CENTRE)

1.4m / 4'6"

LOWEST POSITION

0m / 0'

RIG PERFORMANCE

ARM ARC MOVE MAX SPEED @ CAMERA

5 m/s

ARM WITH TRACK MAX SPEED @ CAMERA

8 m/s

TRACK

Unlimited range of travel

ROTATE

+/- 190° range of travel

LIFT

+150° / -90° range of travel

ARM

+157° / -10° range of travel

PAN

+/- 200° range of travel

TILT

+/- 120° range of travel

ROLL

+/- 360° range of travel

RIG WEIGHTS

BOLT JR+

318kg (701 lbs) +

Transport wheels 50kg (110 lbs)

MAXIMUM CAMERA PAYLOAD

10kg / 22lbs

POWER CONNECTION

POWER REQUIREMENTS

1 x 200-220 VAC