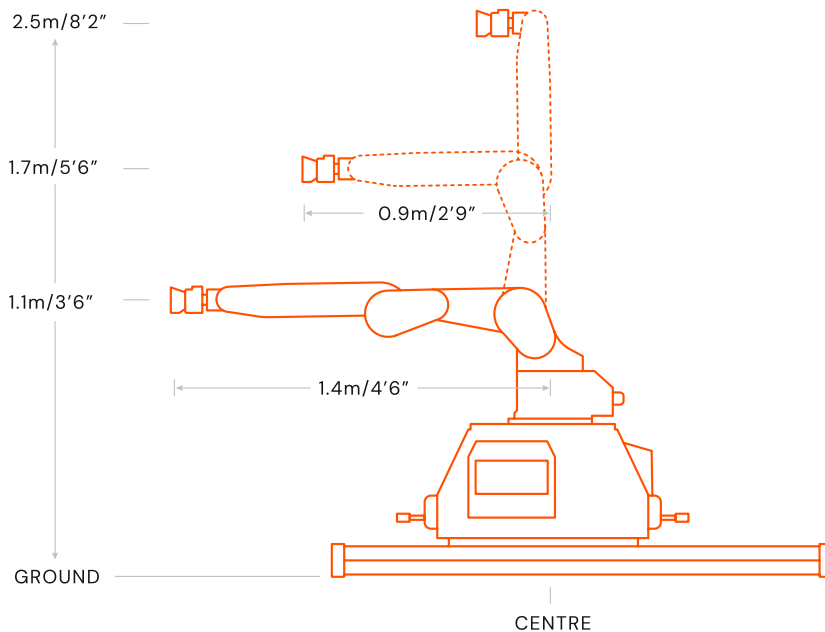




Bolt Jr+ Specifications

Bolt™ Jr+ is a compact, lighter weight high-speed camera robot with a longer reach than the Bolt™ Jr. The agile, smaller rig also comes with an increased camera payload (10kg) and is an ideal solution for smaller spaces or location work.



Grinder Studios

46 Rochester Road, Observatory 7925,
Cape Town, South Africa

Tel +27 21 486 8610

Email info@grinderfilms.com

Website www.grinderfilms.com

OPERATING ENVELOPE

MAX HEIGHT (FROM GROUND)

2.5m / 8'2"

MAX REACH (FROM ROTATE CENTRE)

1.4m / 4'6"

LOWEST POSITION

0m / 0'

RIG PERFORMANCE

ARM ARC MOVE MAX SPEED @ CAMERA

5 m/s

ARM WITH TRACK MAX SPEED @ CAMERA

8 m/s

TRACK

Unlimited range of travel

ROTATE

+/- 190° range of travel

LIFT

+150° / -90° range of travel

ARM

+157° / -10° range of travel

PAN

+/- 200° range of travel

TILT

+/- 120° range of travel

ROLL

+/- 360° range of travel

RIG WEIGHTS

BOLT JR+

318kg (701 lbs) +

Transport wheels 50kg (110 lbs)

MAXIMUM CAMERA PAYLOAD

10kg / 22lbs

POWER CONNECTION

POWER REQUIREMENTS

1 x 200-220 VAC